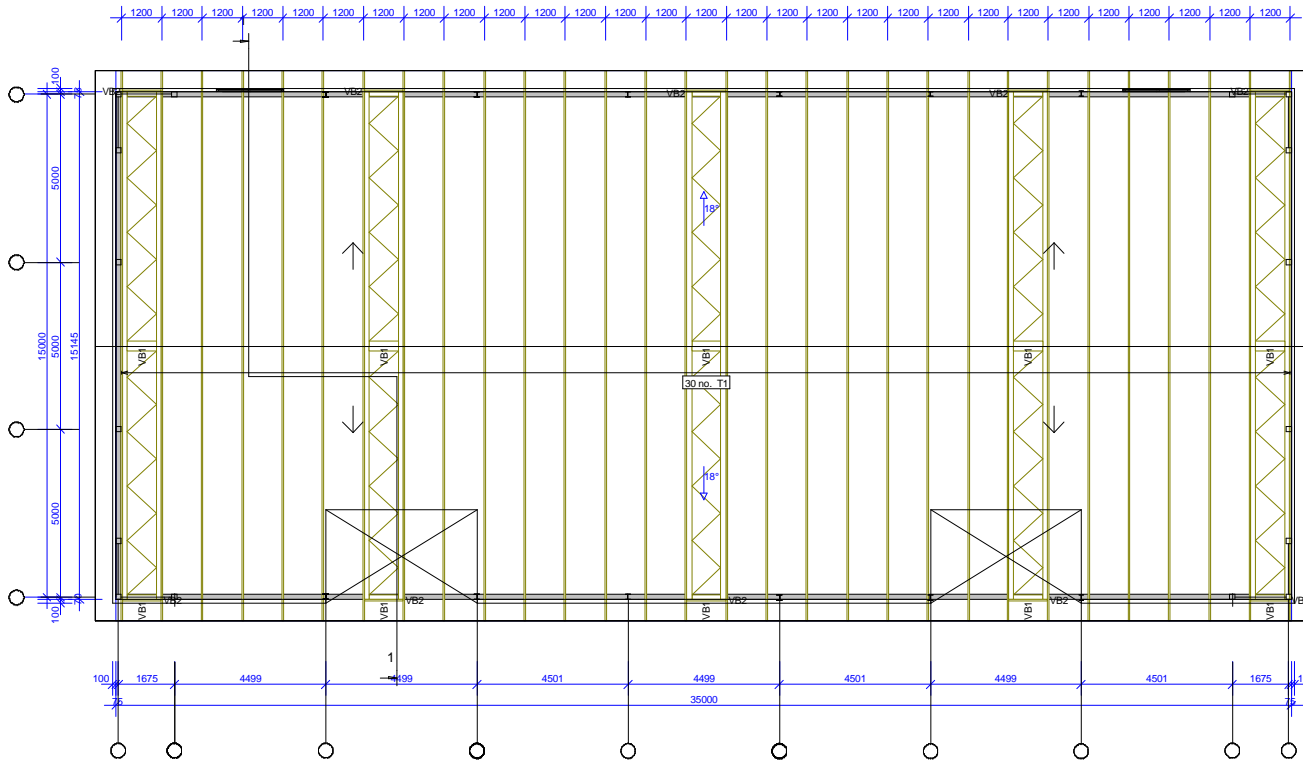


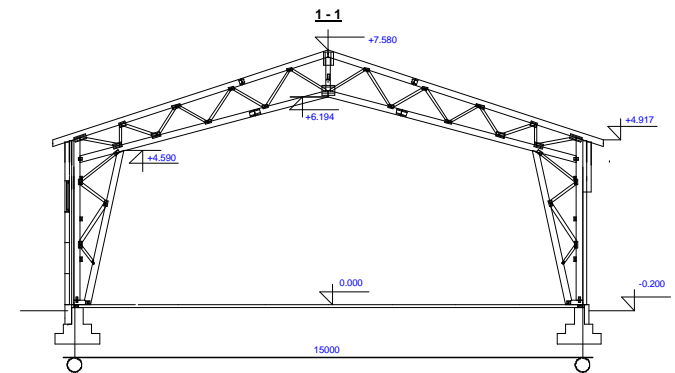
TRUSS PLAN

Roof surface m² 603.356



GENERAL NOTES

1. This drawing and associated calculations is the property of WoodCon, Ltd. Any copying, distribution and usage of these drawings without the permission from WoodCon, Ltd, is not allowed.
2. The trusses should be anchored for wind uplift. WoodCon, Ltd has not designed the anchors, but uplift forces can be found in the calculation printout.
3. Loads:
 - Dead load roof: 650 N/m²
 - Dead load ceiling: 300 N/m²
 - Snow load: 2000 N/m²
 - Wind load, (velocity pressure): 730 N/m²
4. A detailed design of suspension between construction parts is not made by WoodCon, Ltd. This is assumed to be made by the client/building designer.
5. It needs to be verified that the roof layout, trusses and supporting system is in compliance with the wishes/demands of the client before the production of the trusses starts.
6. Wind and stability bracing of the building: Out of plane bracing of trusses and stability bracing of the building need to be calculated separately on a building of this size. This is not made by WoodCon, Ltd, but is assumed to be done by the building designer.



WoodCon, Ltd.
 REG.LV41203036961
 Ph:+37129332958
 e-mail: woodcon@woodcon.lv

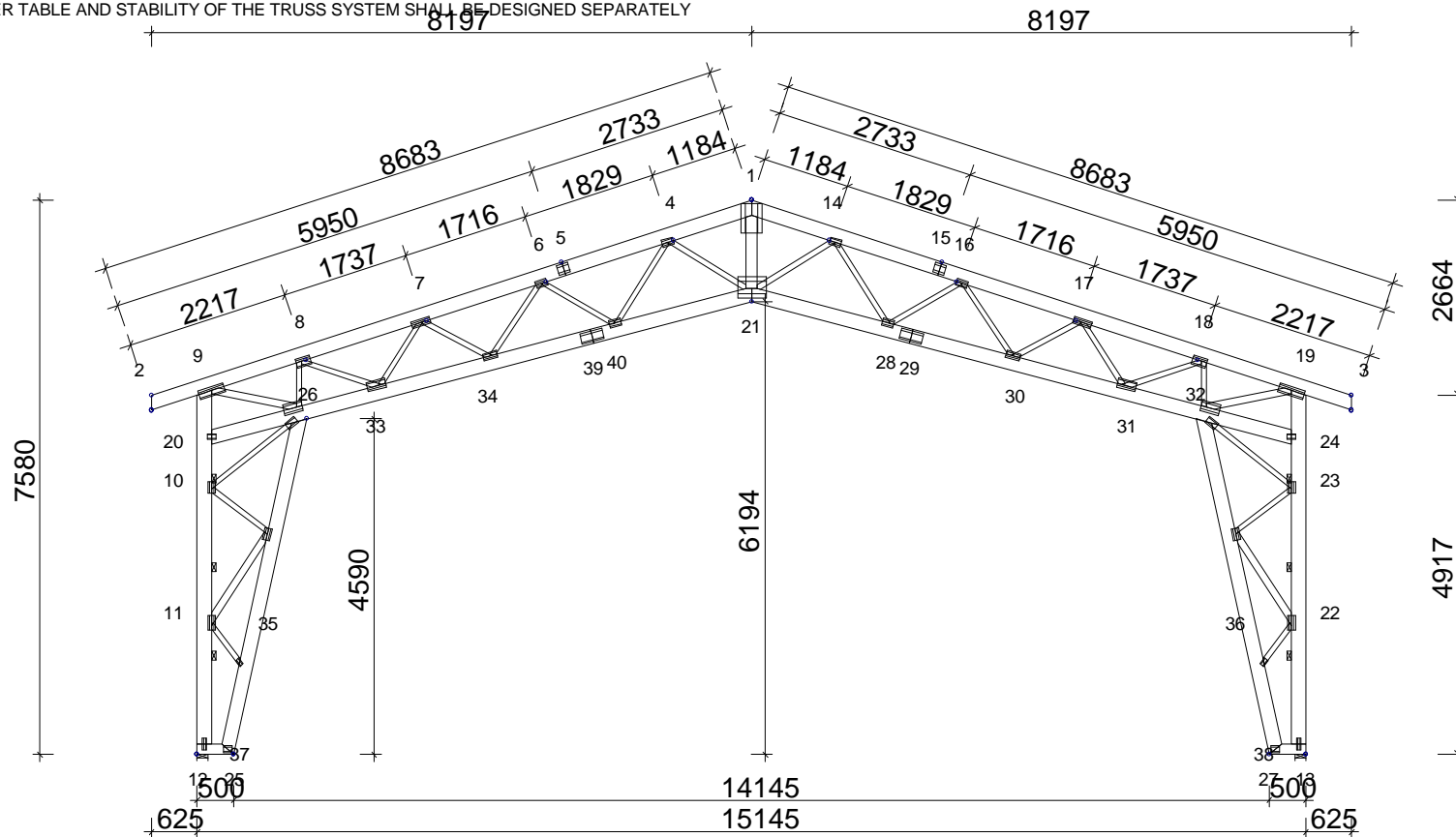
DRAWN	CHECKED	JOB NO. Complex_3
		20120322

CODE TYPE NO.	DRAWING NUMBER	REG.
---------------	----------------	------

SCALE 1:225

BRACINGS ACCORDING TO TIMBER TABLE AND STABILITY OF THE TRUSS SYSTEM SHALL BE DESIGNED SEPARATELY

INDICATES BRACING



SEE CALC.PRINTOUT FOR INFORMATION NOT FOUND IN TABLES

TIMBER: THICKNESS 45 mm				
CONSTR.-PART	DEPTH mm	GRADE	BRACING mm/pcs	LOAD N/m²
1-2	195	K24	400	250
1-3	195	K24	400	250
20-21	195	K24	Full	300
21-24	195	K24	Full	300
12-25	145	K24	Full	300
25-26	195	K18	Full	300
13-27	145	K24	Full	300
27-32	195	K18	Full	300
9-12	195	K18	3 pcs	150
13-19	195	K18	3 pcs	150
1-21	145	K18	None	
4-21	70	K12	None	
14-21	70	K12	None	
4-40	70	K12	None	
14-28	70	K12	None	
6-40	70	K12	None	
16-28	70	K12	None	
8-33	70	K12	None	
18-31	70	K12	None	
9-26	95	K24	None	
19-32	95	K24	None	
10-26	70	K12	None	
23-32	70	K12	None	
8-26	70	K12	None	
18-32	70	K12	None	

GENERAL SETTINGS:	
TIMBER THICKNESS: (mm)	45
TRUSS CENTRES: (mm)	1200
CLIMATE CLASS:	2
SAFETY CLASS:	2
LOADS (N/m²):	
SNOW LOAD (BASE VALUE):	1600
WIND LOAD (BASE VALUE):	400
DEAD LOADS: SEE TIMBER TABLE	
OTHER LOADS AS PER CALC. PRINT-OUT	

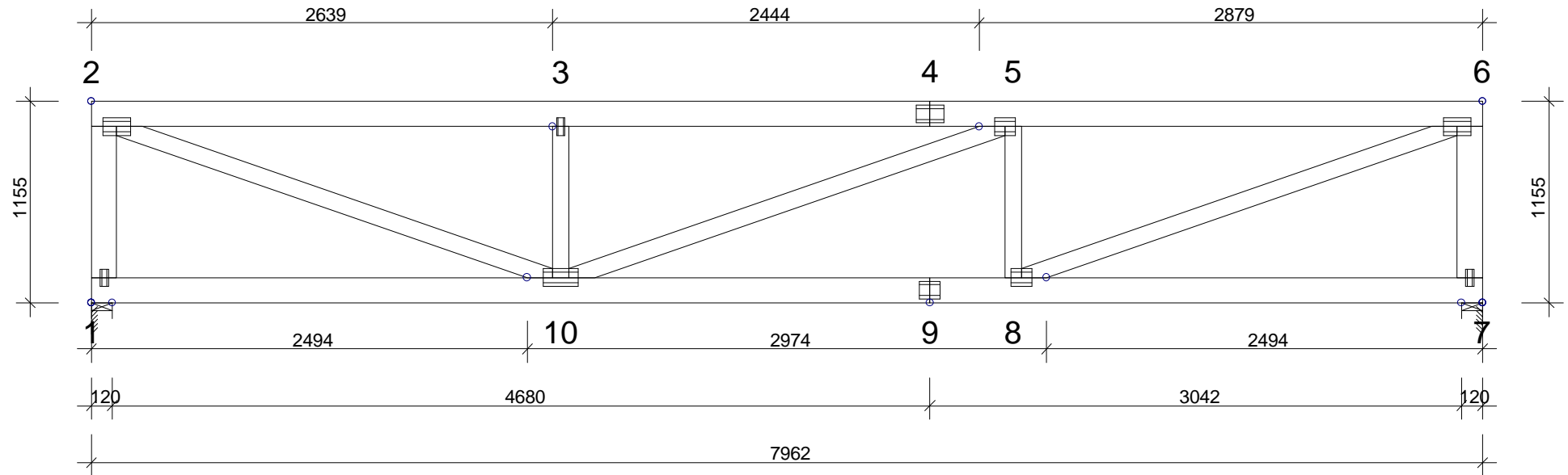
GENERAL DIRECTIONS:

THE STRUCTURE HAS BEEN CALCULATED USING COMPUTER PROGRAM "TRUSSCON". LIC.NO: 15323
 CODE TIMBER: BKR03 (BFS2005:18)
 CODE FASTENER: GODKÄNNANDE-REGLER No 4 1974.

VERSION: 2011 SR3c
 TIME: 17.17

		WoodCon, Ltd. REG.LV41203036961 Ph:+37129332958 e-mail: woodcon@woodcon.lv		
		DRAWN CONSTR.BY	CHECKED	JOB NO. Complex_3
, 20100525		CODE TYPE NO.	DRAWING NUMBER	REG.

BRACINGS ACCORDING TO TIMBER TABLE AND STABILITY OF THE TRUSS SYSTEM SHALL BE DESIGNED SEPARATELY



TIMBER: THICKNESS 45 mm				
CONSTR.-PART	DEPTH mm	GRADE	BRACING mm	LOAD N/m²
1-2	145	K18	None	150
2-6	145	K12	500	650
6-7	145	K18	None	150
7-1	145	K18	500	300
3-10	95	K18	None	
5-8	95	K18	None	
2-10	95	K18	None	
6-8	95	K18	None	
5-10	95	K18	None	

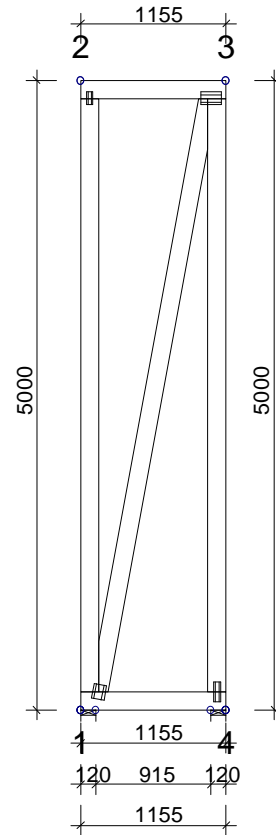
GENERAL SETTINGS:	
TIMBER THICKNESS: (mm)	45
TRUSS CENTRES: (mm)	100
CLIMATE CLASS:	2
SAFETY CLASS:	2
LOADS (N/m²):	
SNOW LOAD (BASE VALUE):	1600
WIND LOAD (BASE VALUE):	730
DEAD LOADS: SEE TIMBER TABLE	
OTHER LOADS AS PER CALC. PRINT-OUT	

GENERAL DIRECTIONS:
 THE STRUCTURE HAS BEEN CALCULATED USING COMPUTER PROGRAM "TRUSSCON". LIC.NO: 15323
 CODE TIMBER: BKR03 (BFS2005:18)
 CODE FASTENER: GODKÄNNANDE-REGLER No 4 1974.

VERSION: 2011 SR3c
 TIME: 16.31

		WoodCon, Ltd. REG.LV41203036961 Ph:+37129332958 e-mail: woodcon@woodcon.lv		
		DRAWN CONSTR.BY ,20100525	CHECKED ,20100525	JOB NO. Complex_3
		CODE TYPE NO.	DRAWING NUMBER	REG.

BRACINGS ACCORDING TO TIMBER TABLE AND STABILITY OF THE TRUSS SYSTEM SHALL BE DESIGNED SEPARATELY



TIMBER: THICKNESS 45 mm				
CONSTR.-PART	DEPTH mm	GRADE	BRACING mm	LOAD N/m²
1-2	145	K24	None	150
2-3	145	K18	500	650
3-4	145	K30	None	150
4-1	145	K18	500	300
1-3	145	K24	None	

GENERAL SETTINGS:	
TIMBER THICKNESS: (mm)	45
TRUSS CENTRES: (mm)	100
CLIMATE CLASS:	2
SAFETY CLASS:	2
LOADS (N/m²):	
SNOW LOAD (BASE VALUE):	1600
WIND LOAD (BASE VALUE):	730
DEAD LOADS: SEE TIMBER TABLE	
OTHER LOADS AS PER CALC. PRINT-OUT	

GENERAL DIRECTIONS:

THE STRUCTURE HAS BEEN CALCULATED USING COMPUTER PROGRAM "TRUSSCON". LIC.NO: 15323
 CODE TIMBER: BKR03 (BFS2005:18)
 CODE FASTENER: GODKÄNNANDE-REGLER No 4 1974.

VERSION: 2011 SR3c
 TIME: 16.43

		WoodCon, Ltd. REG.LV41203036961 Ph:+37129332958 e-mail: woodcon@woodcon.lv		
		DRAWN CONSTR.BY	CHECKED	JOB NO. Complex_3
, 20100525		CODE TYPE NO.	DRAWING NUMBER	REG.