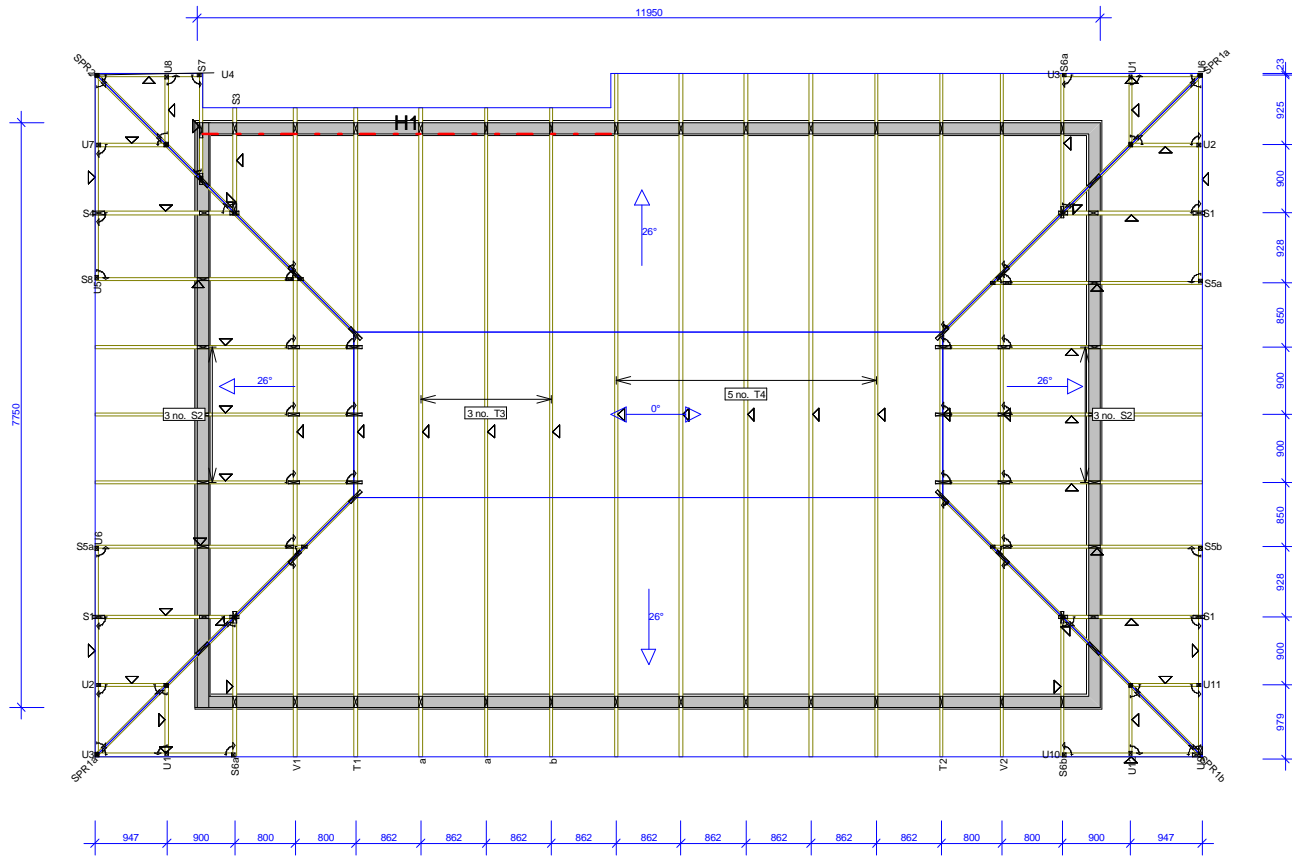


# TRUSS PLAN

Roof surface m2 142.876



## GENERAL NOTES

- This drawing and associated calculations is the property of WoodCon, Ltd. Any copying, distribution and usage of these drawings without the permission from WoodCon, Ltd., is not allowed.
- Loads:
  - Dead load roof: 650 N/m<sup>2</sup>
  - Dead load ceiling: 400 N/m<sup>2</sup>
  - Snow load: 1200 N/m<sup>2</sup>
  - Wind load, (velocity pressure): 489.02 N/m<sup>2</sup>
- The following hangers are used:
  - 36 x 45x96b (MiTek balksko kombi 238 45x96 4+2 Ankarspik 40-4,0)
  - 23 x nn ( )
  - 47 x 1x401Ma1 (1 st MiTek vinkelbeslag 401M 4+4 Ankarspik 40-4,0)
- A detailed design of suspension between construction parts is not made by WoodCon, Ltd. This is assumed to be made by the client/building designer.
- It needs to be verified that the roof layout, trusses and supporting system is in compliance with the wishes/demands of the client before the production of the trusses starts.
- Wind bracing of the roof: The trusses are stiff in their own plane, but needs to be braced out of plane according to the truss calculation. The bracing system of the building is not described by WoodCon, Ltd., but there is a reference to the assembly instruction and type drawing TB96-10.



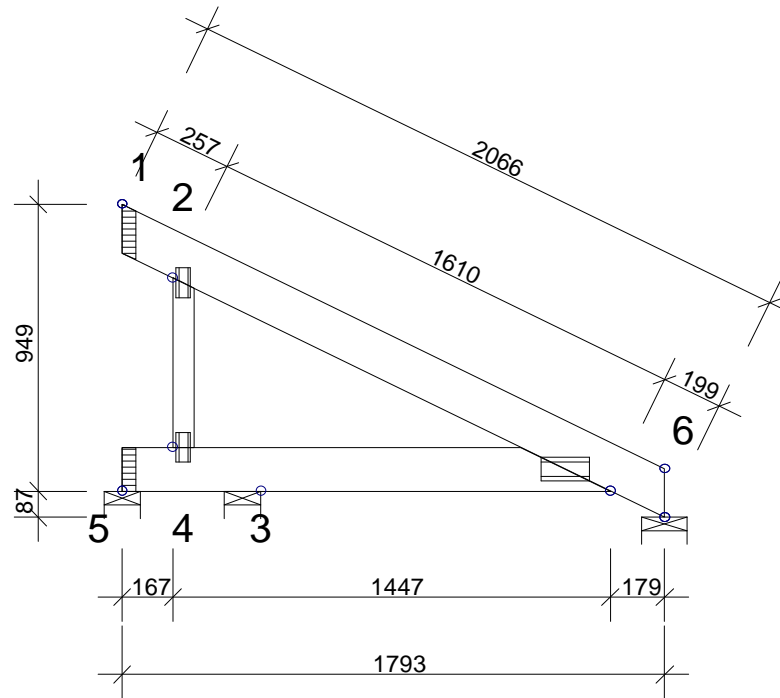
WoodCon, Ltd.  
 REG.LV41203036961  
 Ph:+37129332958  
 e-mail: woodcon@woodcon.lv

DRAWN	CHECKED	JOB NO. Complex_11
		20120323

SCALE 1:100

CODE TYPE NO.	DRAWING NUMBER	REG.
---------------	----------------	------

BRACINGS ACCORDING TO TIMBER TABLE AND STABILITY OF THE TRUSS SYSTEM SHALL BE DESIGNED SEPARATELY



TIMBER: THICKNESS 45 mm				
CONSTR.-PART	DEPTH mm	GRADE	BRACING mm	LOAD N/m <sup>2</sup>
1-6	145	C24	400	650
3-5	145	C24	Full	400
2-4	70	C14	None	

GENERAL SETTINGS:	
TIMBER THICKNESS: (mm)	45
TRUSS CENTRES: (mm)	900
CLIMATE CLASS:	2
BRACING: SEE TIMBER TABLE	
LOADS (N/m <sup>2</sup> ):	
SNOW LOAD (BASE VALUE):	1200
WIND LOAD (BASE VALUE):	489
LIVE LOAD:	NO FREE
	1 500
DEAD LOADS: SEE TIMBER TABLE	
OTHER LOADS AS PER CALC. PRINT-OUT	

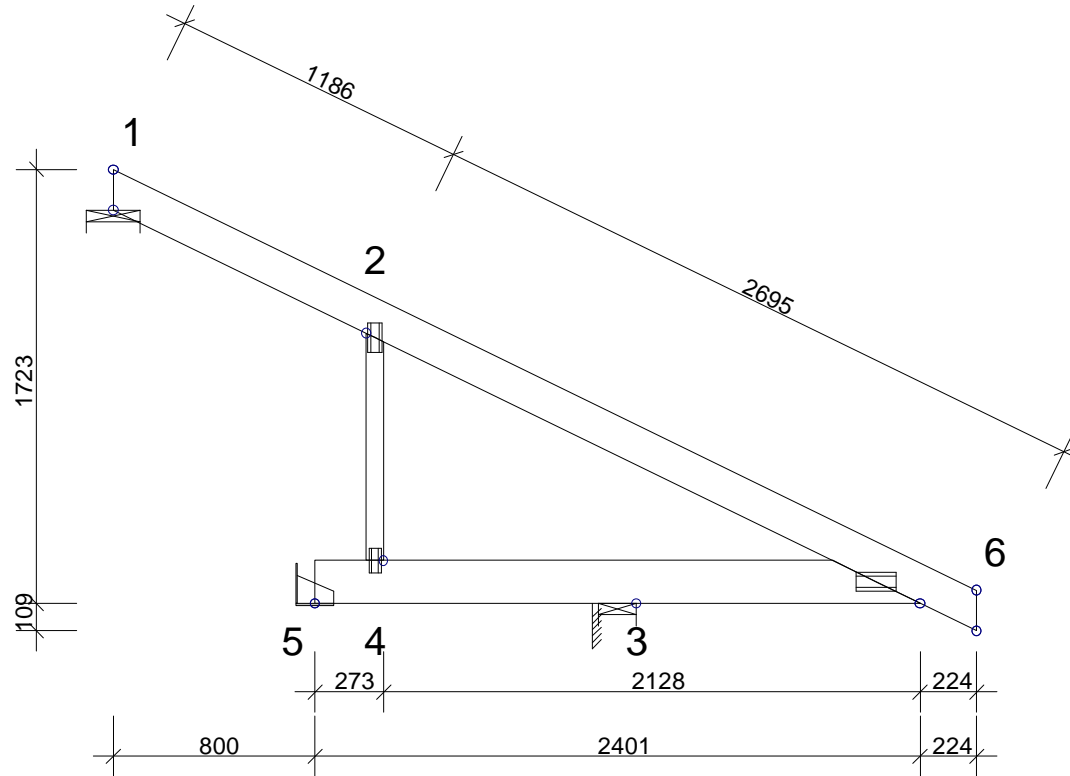
**GENERAL DIRECTIONS:**

THE STRUCTURE HAS BEEN CALCULATED USING COMPUTER PROGRAM "TRUSSCON". LIC.NO: 15323  
 CODE TIMBER: LVS-EN 1995-1-1 + NA  
 LOADS: LVS-EN 1991 + NA  
 FULL DESIGN RESULTS AS PER CALC. PRINT-OUT

VERSION: 2011 SR3c  
 TIME: 13.24

		WoodCon, Ltd. REG.LV41203036961 Ph:+37129332958 e-mail: woodcon@woodcon.lv	
		DRAWN CONSTR.BY , 20120323	CHECKED , 20120323
CODE TYPE NO.		DRAWING NUMBER	
REG.		REG.	

BRACINGS ACCORDING TO TIMBER TABLE AND STABILITY OF THE TRUSS SYSTEM SHALL BE DESIGNED SEPARATELY



TIMBER: THICKNESS 45 mm				
CONSTR.-PART	DEPTH mm	GRADE	BRACING mm	LOAD N/m <sup>2</sup>
1-6	145	C24	400	650
3-5	170	C24	Full	400
2-4	70	C14	None	

GENERAL SETTINGS:	
TIMBER THICKNESS: (mm)	45
TRUSS CENTRES: (mm)	900
CLIMATE CLASS:	2
BRACING: SEE TIMBER TABLE	
LOADS (N/m <sup>2</sup> ):	
SNOW LOAD (BASE VALUE):	1200
WIND LOAD (BASE VALUE):	489
LIVE LOAD:	NO FREE
	1 500
DEAD LOADS: SEE TIMBER TABLE	
OTHER LOADS AS PER CALC. PRINT-OUT	

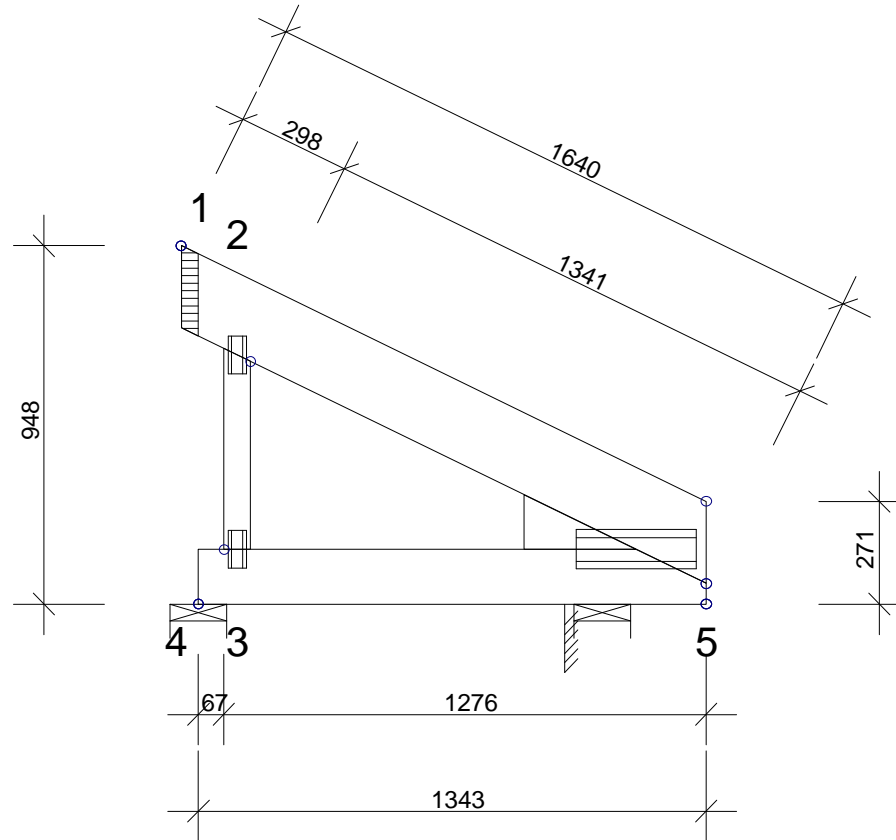
**GENERAL DIRECTIONS:**

THE STRUCTURE HAS BEEN CALCULATED USING COMPUTER PROGRAM "TRUSSCON". LIC.NO: 15323  
 CODE TIMBER: LVS-EN 1995-1-1 + NA  
 LOADS: LVS-EN 1991 + NA  
 FULL DESIGN RESULTS AS PER CALC. PRINT-OUT

VERSION: 2011 SR3c  
 TIME: 13.24

		WoodCon, Ltd. REG.LV41203036961 Ph:+37129332958 e-mail: woodcon@woodcon.lv	
		DRAWN CONSTR.BY ,20120323	CHECKED ,20120323
CODE TYPE NO.		DRAWING NUMBER	
REG.		REG.	

BRACINGS ACCORDING TO TIMBER TABLE AND STABILITY OF THE TRUSS SYSTEM SHALL BE DESIGNED SEPARATELY



TIMBER: THICKNESS 45 mm				
CONSTR.-PART	DEPTH mm	GRADE	BRACING mm	LOAD N/m²
1-5	195	C24	400	650
4-5	145	C24	Full	300
2-3	70	C14	None	
Wedge 5	145	C24		

GENERAL SETTINGS:	
TIMBER THICKNESS: (mm)	45
TRUSS CENTRES: (mm)	900
CLIMATE CLASS:	2
BRACING: SEE TIMBER TABLE	
LOADS (N/m²):	
SNOW LOAD (BASE VALUE):	1200
WIND LOAD (BASE VALUE):	489
DEAD LOADS: SEE TIMBER TABLE	
OTHER LOADS AS PER CALC. PRINT-OUT	

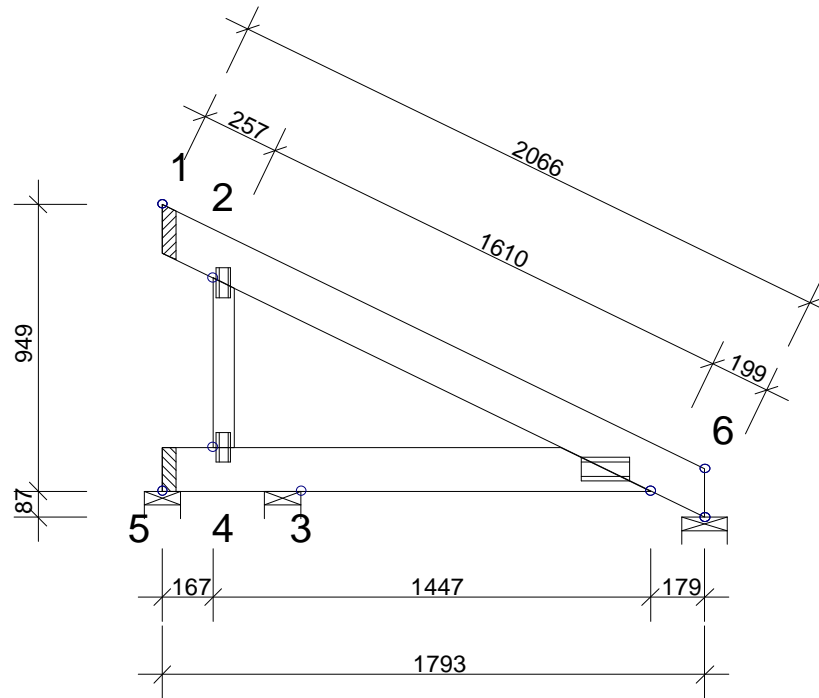
**GENERAL DIRECTIONS:**

THE STRUCTURE HAS BEEN CALCULATED USING COMPUTER PROGRAM "TRUSSCON". LIC.NO: 15323  
 CODE TIMBER: LVS-EN 1995-1-1 + NA  
 LOADS: LVS-EN 1991 + NA  
 FULL DESIGN RESULTS AS PER CALC. PRINT-OUT

VERSION: 2011 SR3c  
 TIME: 13.24

		WoodCon, Ltd. REG.LV41203036961 Ph:+37129332958 e-mail: woodcon@woodcon.lv		
		DRAWN CONSTR.BY , 20120323	CHECKED , 20120323	JOB NO. Complex_11
CODE TYPE NO.		DRAWING NUMBER		REG.

BRACINGS ACCORDING TO TIMBER TABLE AND STABILITY OF THE TRUSS SYSTEM SHALL BE DESIGNED SEPARATELY



TIMBER: THICKNESS 45 mm				
CONSTR.-PART	DEPTH mm	GRADE	BRACING mm	LOAD N/m <sup>2</sup>
1-6	145	C24	400	650
3-5	145	C24	Full	400
2-4	70	C14	None	

GENERAL SETTINGS:	
TIMBER THICKNESS: (mm)	45
TRUSS CENTRES: (mm)	900
CLIMATE CLASS:	2
BRACING: SEE TIMBER TABLE	
LOADS (N/m <sup>2</sup> ):	
SNOW LOAD (BASE VALUE):	1200
WIND LOAD (BASE VALUE):	489
LIVE LOAD:	NO FREE
	1 500
DEAD LOADS: SEE TIMBER TABLE	
OTHER LOADS AS PER CALC. PRINT-OUT	

**GENERAL DIRECTIONS:**

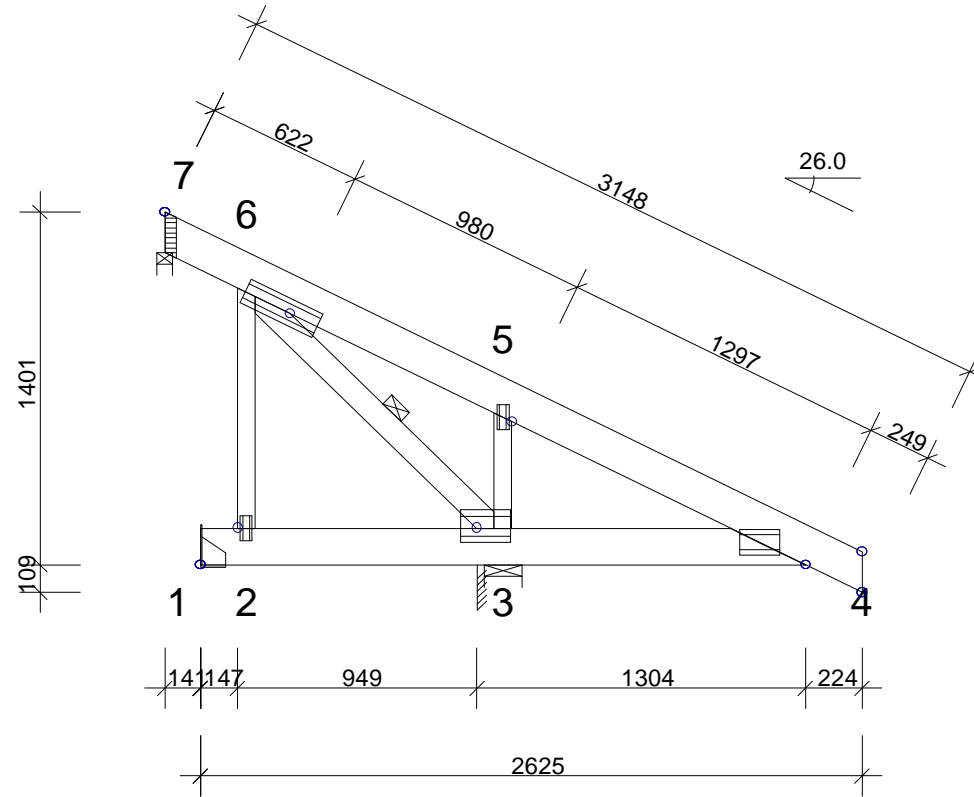
THE STRUCTURE HAS BEEN CALCULATED USING COMPUTER PROGRAM "TRUSSCON". LIC.NO: 15323  
 CODE TIMBER: LVS-EN 1995-1-1 + NA  
 LOADS: LVS-EN 1991 + NA  
 FULL DESIGN RESULTS AS PER CALC. PRINT-OUT

VERSION: 2011 SR3c  
 TIME: 13.24

		WoodCon, Ltd. REG.LV41203036961 Ph:+37129332958 e-mail: woodcon@woodcon.lv	
		DRAWN CONSTR.BY , 20120323	CHECKED , 20120323
CODE TYPE NO.		DRAWING NUMBER	
REG.		REG.	

BRACINGS ACCORDING TO TIMBER TABLE AND STABILITY OF THE TRUSS SYSTEM SHALL BE DESIGNED SEPARATELY

▣ INDICATES BRACING



TIMBER: THICKNESS 45 mm				
CONSTR.-PART	DEPTH mm	GRADE	BRACING mm/pcs	LOAD N/m <sup>2</sup>
1-4	145	C24	Full	400
4-7	145	C24	400	650
3-5	70	C18	None	
2-6	70	C14	None	
3-6	95	C24	1 pcs	

GENERAL SETTINGS:	
TIMBER THICKNESS: (mm)	45
TRUSS CENTRES: (mm)	900
CLIMATE CLASS:	2
BRACING: SEE TIMBER TABLE	
LOADS (N/m <sup>2</sup> ):	
SNOW LOAD (BASE VALUE):	1200
WIND LOAD (BASE VALUE):	489
LIVE LOAD:	NO FREE
	1 500
DEAD LOADS: SEE TIMBER TABLE	
OTHER LOADS AS PER CALC. PRINT-OUT	

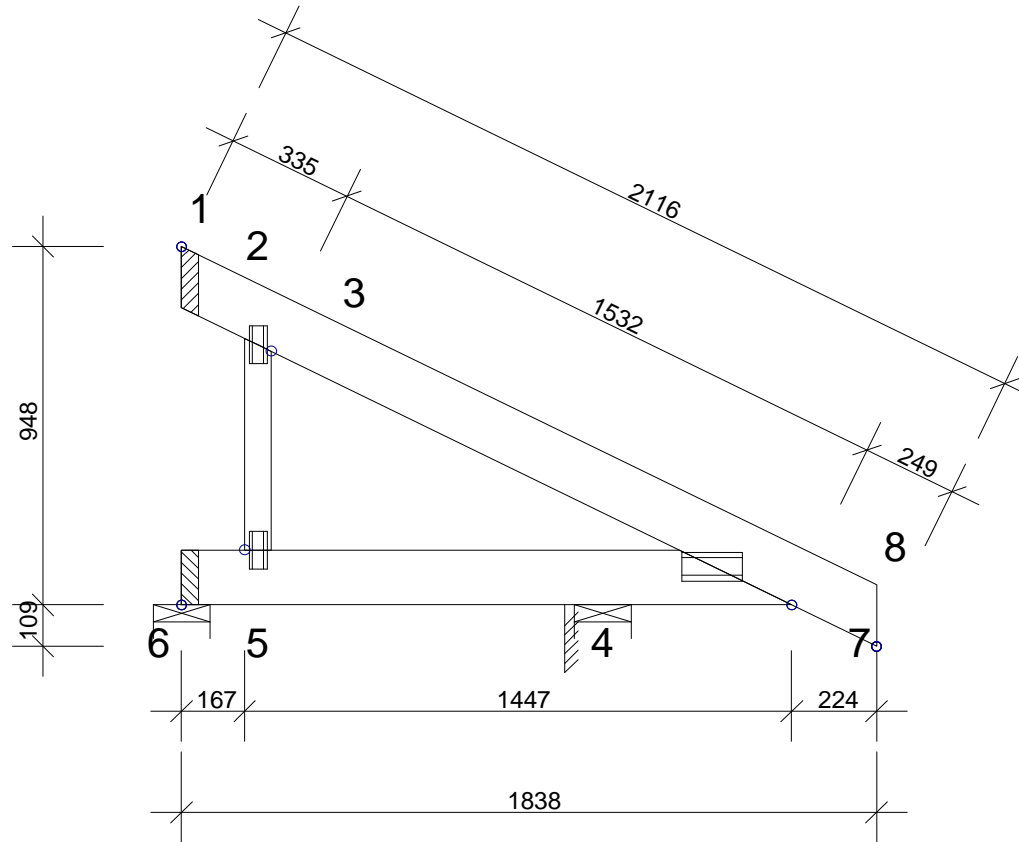
**GENERAL DIRECTIONS:**

THE STRUCTURE HAS BEEN CALCULATED USING COMPUTER PROGRAM "TRUSSCON". LIC.NO: 15323  
 CODE TIMBER: LVS-EN 1995-1-1 + NA  
 LOADS: LVS-EN 1991 + NA  
 FULL DESIGN RESULTS AS PER CALC. PRINT-OUT

VERSION: 2011 SR3c  
 TIME: 13.24

		WoodCon, Ltd. REG.LV41203036961 Ph:+37129332958 e-mail: woodcon@woodcon.lv		
		DRAWN CONSTR.BY ,20120323	CHECKED ,20120323	JOB NO. Complex_11
		CODE TYPE NO.	DRAWING NUMBER	REG.

BRACINGS ACCORDING TO TIMBER TABLE AND STABILITY OF THE TRUSS SYSTEM SHALL BE DESIGNED SEPARATELY



TIMBER: THICKNESS 45 mm				
CONSTR.-PART	DEPTH mm	GRADE	BRACING mm	LOAD N/m <sup>2</sup>
1-8	145	C24	400	650
6-7	145	C24	Full	300
2-5	70	C14	None	

GENERAL SETTINGS:	
TIMBER THICKNESS: (mm)	45
TRUSS CENTRES: (mm)	900
CLIMATE CLASS:	2
BRACING: SEE TIMBER TABLE	
LOADS (N/m <sup>2</sup> ):	
SNOW LOAD (BASE VALUE):	1200
WIND LOAD (BASE VALUE):	489
DEAD LOADS: SEE TIMBER TABLE	
OTHER LOADS AS PER CALC. PRINT-OUT	

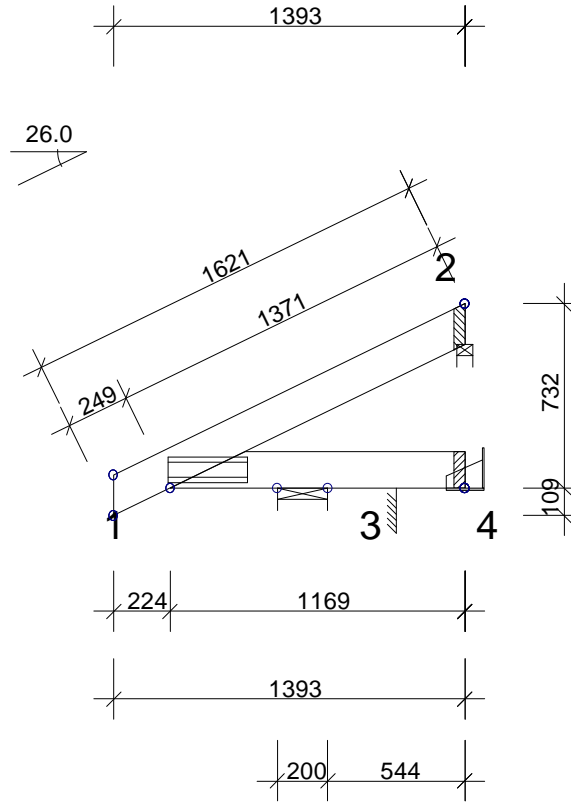
**GENERAL DIRECTIONS:**

THE STRUCTURE HAS BEEN CALCULATED USING COMPUTER PROGRAM "TRUSSCON". LIC.NO: 15323  
 CODE TIMBER: LVS-EN 1995-1-1 + NA  
 LOADS: LVS-EN 1991 + NA  
 FULL DESIGN RESULTS AS PER CALC. PRINT-OUT

VERSION: 2011 SR3c  
 TIME: 13.24

		WoodCon, Ltd. REG.LV41203036961 Ph:+37129332958 e-mail: woodcon@woodcon.lv		
		DRAWN CONSTR.BY ,20120323	CHECKED ,20120323	JOB NO. Complex_11
		CODE TYPE NO.	DRAWING NUMBER	REG.

BRACINGS ACCORDING TO TIMBER TABLE AND STABILITY OF THE TRUSS SYSTEM SHALL BE DESIGNED SEPARATELY



TIMBER: THICKNESS 45 mm				
CONSTR.-PART	DEPTH mm	GRADE	BRACING mm	LOAD N/m²
1-2	145	C24	400	650
1-4	145	C24	Full	400

GENERAL SETTINGS:	
TIMBER THICKNESS: (mm)	45
TRUSS CENTRES: (mm)	900
CLIMATE CLASS:	2
BRACING: SEE TIMBER TABLE	
LOADS (N/m²):	
SNOW LOAD (BASE VALUE):	1200
WIND LOAD (BASE VALUE):	489
LIVE LOAD:	NO FREE
DEAD LOADS: SEE TIMBER TABLE	
OTHER LOADS AS PER CALC. PRINT-OUT	

**GENERAL DIRECTIONS:**

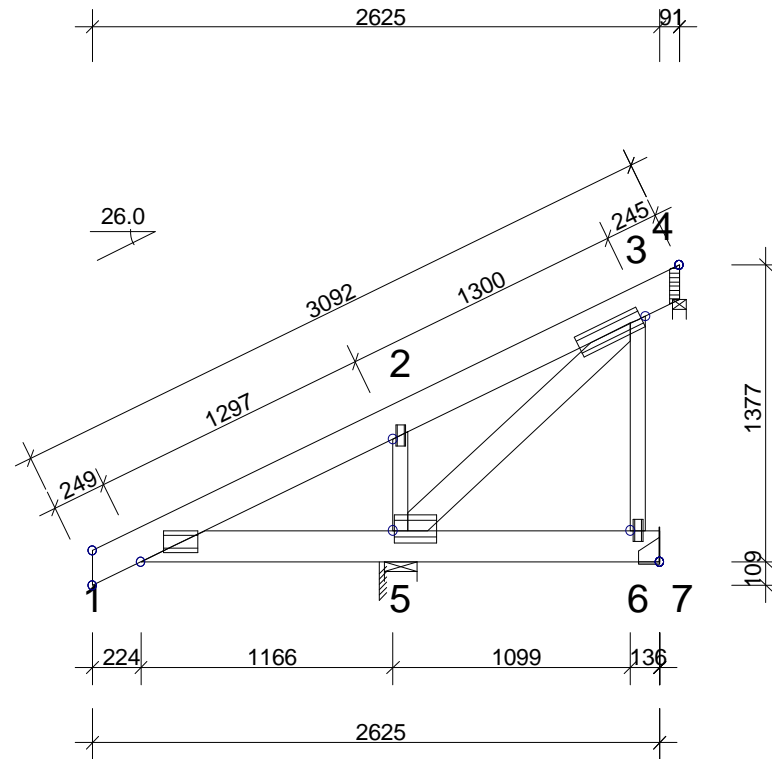
THE STRUCTURE HAS BEEN CALCULATED USING COMPUTER PROGRAM "TRUSSCON". LIC.NO: 15323  
 CODE TIMBER: LVS-EN 1995-1-1 + NA  
 LOADS: LVS-EN 1991 + NA  
 FULL DESIGN RESULTS AS PER CALC. PRINT-OUT

VERSION: 2011 SR3c  
 TIME: 13.24

		WoodCon, Ltd. REG.LV41203036961 Ph:+37129332958 e-mail: woodcon@woodcon.lv	
		DRAWN CONSTR.BY ,20120323	CHECKED ,20120323
CODE TYPE NO.		DRAWING NUMBER	
REG.		REG.	



BRACINGS ACCORDING TO TIMBER TABLE AND STABILITY OF THE TRUSS SYSTEM SHALL BE DESIGNED SEPARATELY



TIMBER: THICKNESS 45 mm				
CONSTR.-PART	DEPTH mm	GRADE	BRACING mm	LOAD N/m²
1-4	145	C24	400	650
1-7	145	C24	Full	400
2-5	70	C14	None	
3-6	70	C14	None	
3-5	120	C24	None	

GENERAL SETTINGS:	
TIMBER THICKNESS: (mm)	45
TRUSS CENTRES: (mm)	900
CLIMATE CLASS:	2
BRACING: SEE TIMBER TABLE	
LOADS (N/m²):	
SNOW LOAD (BASE VALUE):	1200
WIND LOAD (BASE VALUE):	489
LIVE LOAD:	NO FREE
	1 500
DEAD LOADS: SEE TIMBER TABLE	
OTHER LOADS AS PER CALC. PRINT-OUT	

**GENERAL DIRECTIONS:**

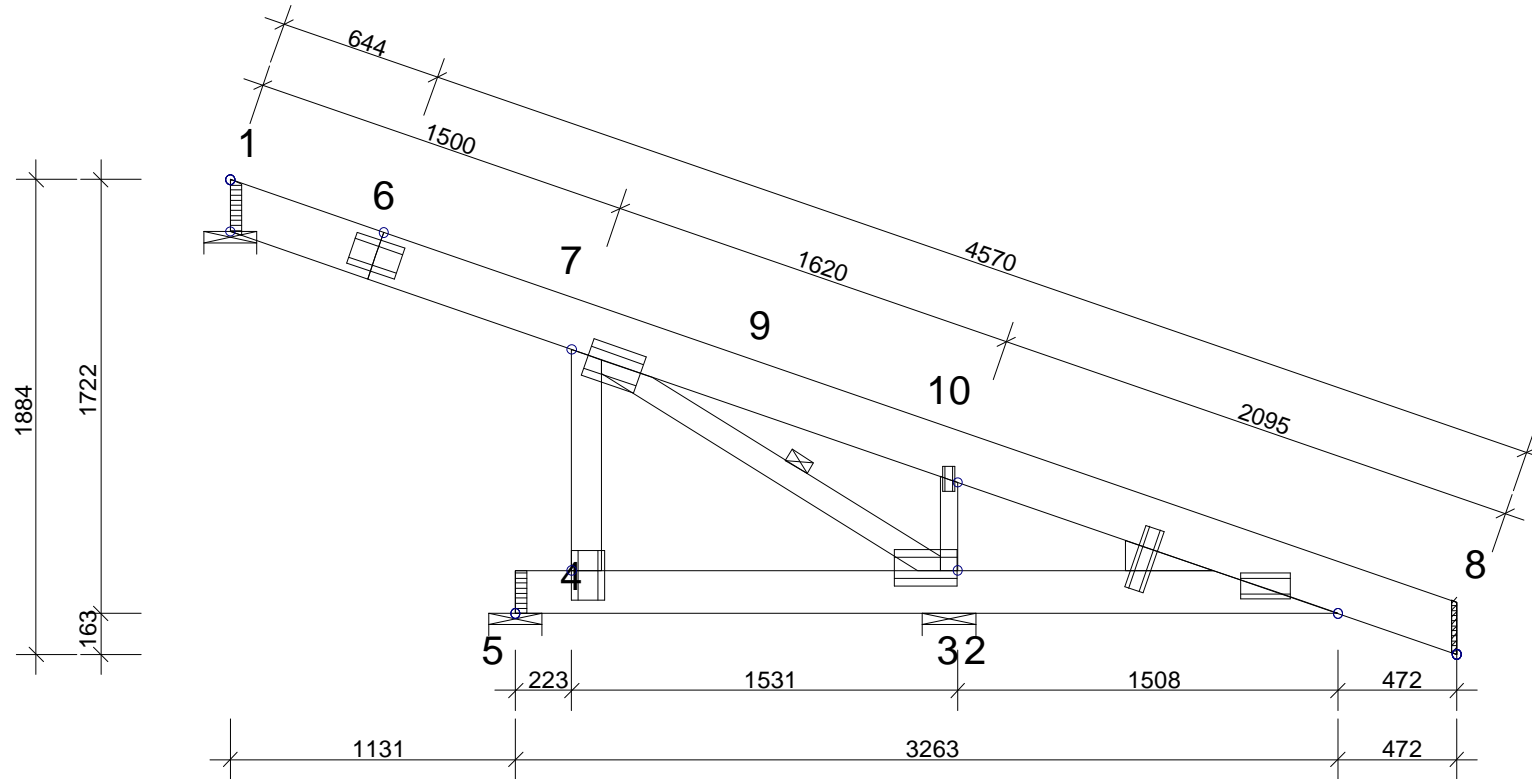
THE STRUCTURE HAS BEEN CALCULATED USING COMPUTER PROGRAM "TRUSSCON". LIC.NO: 15323  
 CODE TIMBER: LVS-EN 1995-1-1 + NA  
 LOADS: LVS-EN 1991 + NA  
 FULL DESIGN RESULTS AS PER CALC. PRINT-OUT

VERSION: 2011 SR3c  
 TIME: 13.24

		WoodCon, Ltd. REG.LV41203036961 Ph:+37129332958 e-mail: woodcon@woodcon.lv		
		DRAWN CONSTR.BY , 20120323	CHECKED , 20120323	JOB NO. Complex_11
		CODE TYPE NO.	DRAWING NUMBER	REG.

BRACINGS ACCORDING TO TIMBER TABLE AND STABILITY OF THE TRUSS SYSTEM SHALL BE DESIGNED SEPARATELY

INDICATES BRACING



TIMBER: THICKNESS 45 mm				
CONSTR.-PART	DEPTH mm	GRADE	BRACING mm/pcs	LOAD N/m²
2-5	170	C24	Full	300
1-8	195	C24	600	650
4-7	120	C14	None	150
3-7	95	C24	1 pcs	
3-10	70	C14	None	
Wedge 2	120	C24		

GENERAL SETTINGS:	
TIMBER THICKNESS: (mm)	45
TRUSS CENTRES: (mm)	900
CLIMATE CLASS:	2
BRACING: SEE TIMBER TABLE	
LOADS (N/m²):	
SNOW LOAD (BASE VALUE):	1200
WIND LOAD (BASE VALUE):	489
DEAD LOADS: SEE TIMBER TABLE	
OTHER LOADS AS PER CALC. PRINT-OUT	

**GENERAL DIRECTIONS:**

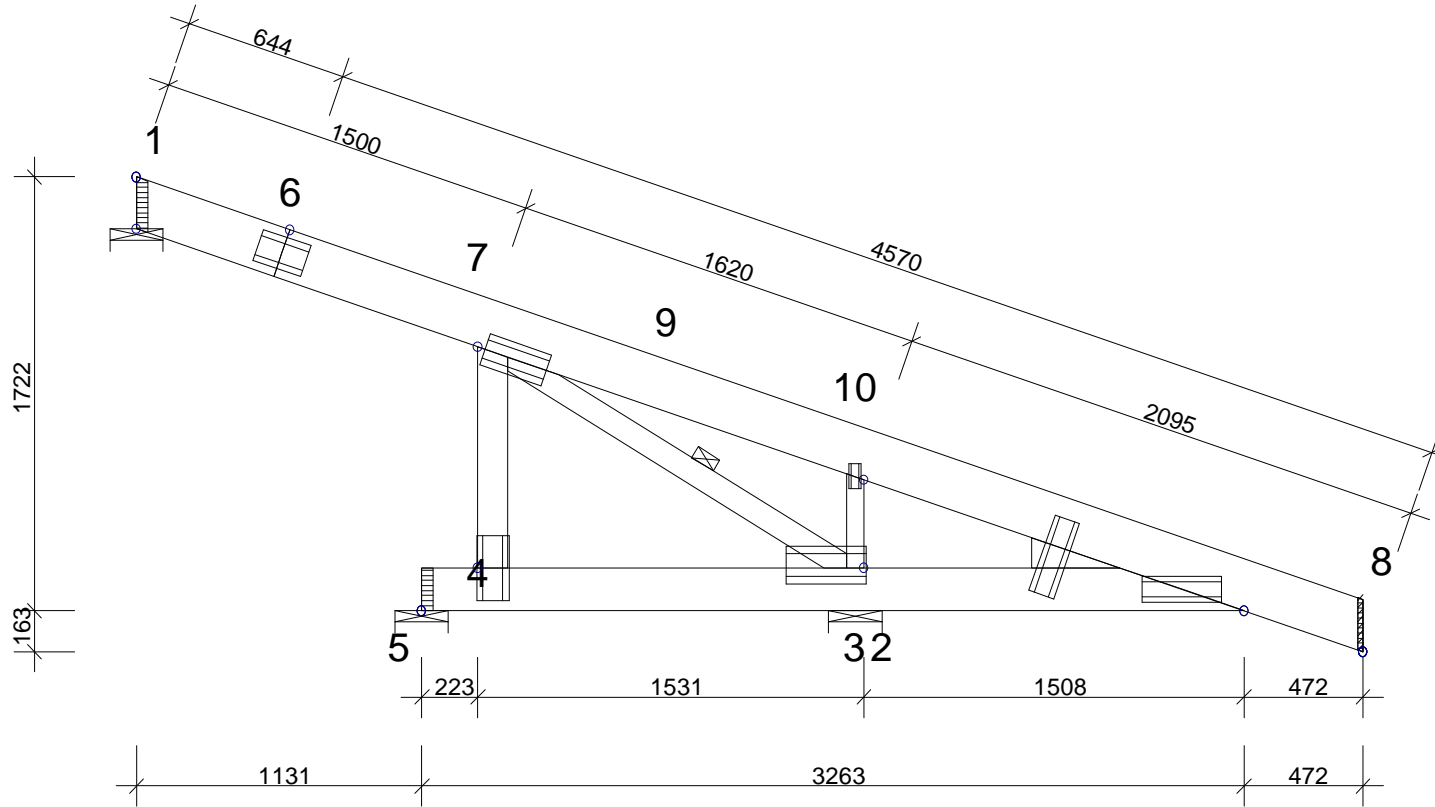
THE STRUCTURE HAS BEEN CALCULATED USING COMPUTER PROGRAM "TRUSSCON". LIC.NO: 15323  
 CODE TIMBER: LVS-EN 1995-1-1 + NA  
 LOADS: LVS-EN 1991 + NA  
 FULL DESIGN RESULTS AS PER CALC. PRINT-OUT

VERSION: 2011 SR3c  
 TIME: 13.34

		WoodCon, Ltd. REG.LV41203036961 Ph:+37129332958 e-mail: woodcon@woodcon.lv		
		DRAWN CONSTR.BY , 20120323	CHECKED , 20120323	JOB NO. Complex_11
		CODE TYPE NO.	DRAWING NUMBER	REG.

BRACINGS ACCORDING TO TIMBER TABLE AND STABILITY OF THE TRUSS SYSTEM SHALL BE DESIGNED SEPARATELY

INDICATES BRACING



TIMBER: THICKNESS 45 mm				
CONSTR.-PART	DEPTH mm	GRADE	BRACING mm/pcs	LOAD N/m <sup>2</sup>
2-5	170	C24	Full	300
1-8	195	C24	600	650
4-7	120	C14	None	150
3-7	95	C24	1 pcs	
3-10	70	C14	None	
Wedge 2	120	C24		

GENERAL SETTINGS:	
TIMBER THICKNESS: (mm)	45
TRUSS CENTRES: (mm)	900
CLIMATE CLASS:	2
BRACING: SEE TIMBER TABLE	
LOADS (N/m <sup>2</sup> ):	
SNOW LOAD (BASE VALUE):	1200
WIND LOAD (BASE VALUE):	489
DEAD LOADS: SEE TIMBER TABLE	
OTHER LOADS AS PER CALC. PRINT-OUT	

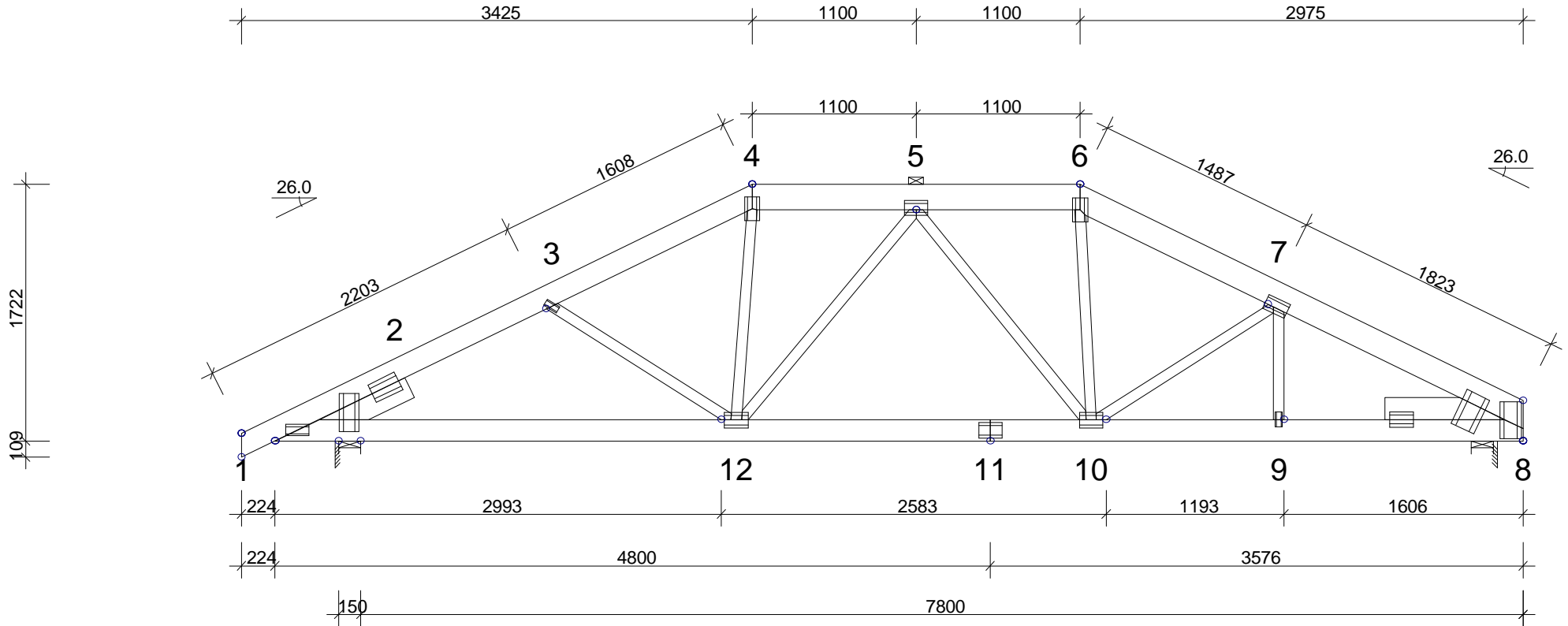
**GENERAL DIRECTIONS:**  
 THE STRUCTURE HAS BEEN CALCULATED USING COMPUTER PROGRAM "TRUSSCON". LIC.NO: 15323  
 CODE TIMBER: LVS-EN 1995-1-1 + NA  
 LOADS: LVS-EN 1991 + NA  
 FULL DESIGN RESULTS AS PER CALC. PRINT-OUT

VERSION: 2011 SR3c  
 TIME: 13.24

		WoodCon, Ltd. REG.LV41203036961 Ph:+37129332958 e-mail: woodcon@woodcon.lv		
		DRAWN CONSTR.BY , 20120323	CHECKED	JOB NO. Complex_11
CODE TYPE NO.		DRAWING NUMBER		REG.

BRACINGS ACCORDING TO TIMBER TABLE AND STABILITY OF THE TRUSS SYSTEM SHALL BE DESIGNED SEPARATELY

☒ INDICATES BRACING



TIMBER: THICKNESS 45 mm				
CONSTR.-PART	DEPTH mm	GRADE	BRACING mm	LOAD N/m²
1-4	145	C24	400	650
4-6	170	C24	< 2150	650
6-8	170	C24	400	650
8-1	145	C24	Full	400
4-12	70	C14	None	
6-10	70	C14	None	
3-12	70	C14	None	
5-10	70	C14	None	
5-12	70	C14	None	
7-10	70	C14	None	
7-9	70	C14	None	
Wedge 8	145	C24		
1-2	145	C24		

GENERAL SETTINGS:	
TIMBER THICKNESS: (mm)	45
TRUSS CENTRES: (mm)	900
CLIMATE CLASS:	2
BRACING: SEE TIMBER TABLE	
LOADS (N/m²):	
SNOW LOAD (BASE VALUE):	1200
WIND LOAD (BASE VALUE):	489
LIVE LOAD:	NO FREE
	1 500
DEAD LOADS: SEE TIMBER TABLE	
OTHER LOADS AS PER CALC. PRINT-OUT	

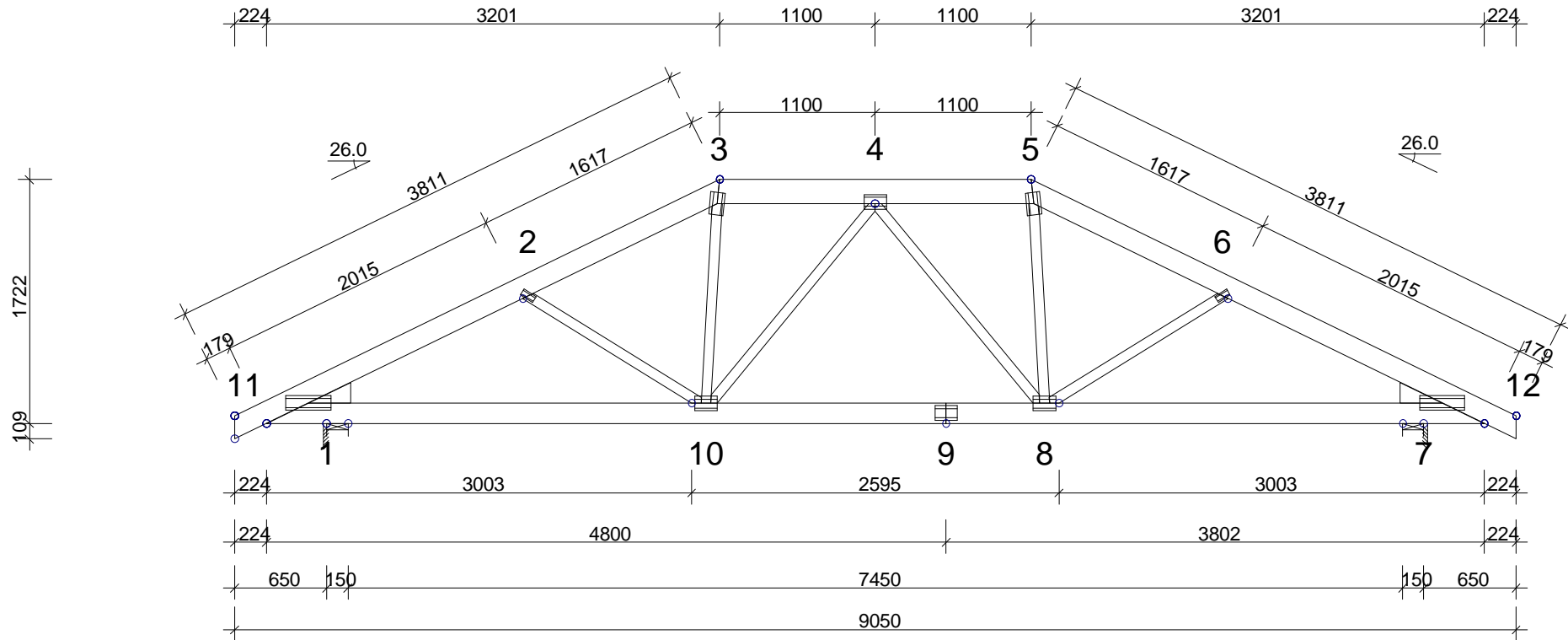
**GENERAL DIRECTIONS:**  
 THE STRUCTURE HAS BEEN CALCULATED USING COMPUTER PROGRAM "TRUSSCON". LIC.NO: 15323  
 CODE TIMBER: LVS-EN 1995-1-1 + NA  
 LOADS: LVS-EN 1991 + NA  
 FULL DESIGN RESULTS AS PER CALC. PRINT-OUT

VERSION: 2011 SR3c  
 TIME: 13.24

		WoodCon, Ltd. REG.LV41203036961 Ph:+37129332958 e-mail: woodcon@woodcon.lv		
		DRAWN CONSTR.BY , 20120323	CHECKED	JOB NO. Complex_11
CODE TYPE NO.		DRAWING NUMBER		REG.

BRACINGS ACCORDING TO TIMBER TABLE AND STABILITY OF THE TRUSS SYSTEM SHALL BE DESIGNED SEPARATELY

INDICATES BRACING



TIMBER: THICKNESS 45 mm				
CONSTR.-PART	DEPTH mm	GRADE	BRACING mm	LOAD N/m <sup>2</sup>
3-11	145	C24	400	650
3-5	170	C24	< 2236	650
5-12	145	C24	400	650
7-1	145	C24	Full	400
3-10	70	C14	None	
5-8	70	C14	None	
2-10	70	C14	None	
6-8	70	C14	None	
4-8	70	C14	None	
4-10	70	C14	None	
Wedge 1	145	C24		
Wedge 7	145	C24		

GENERAL SETTINGS:	
TIMBER THICKNESS: (mm)	45
TRUSS CENTRES: (mm)	900
CLIMATE CLASS:	2
BRACING: SEE TIMBER TABLE	
LOADS (N/m <sup>2</sup> ):	
SNOW LOAD (BASE VALUE):	1200
WIND LOAD (BASE VALUE):	489
LIVE LOAD:	NO FREE
	1 500
DEAD LOADS: SEE TIMBER TABLE	
OTHER LOADS AS PER CALC. PRINT-OUT	

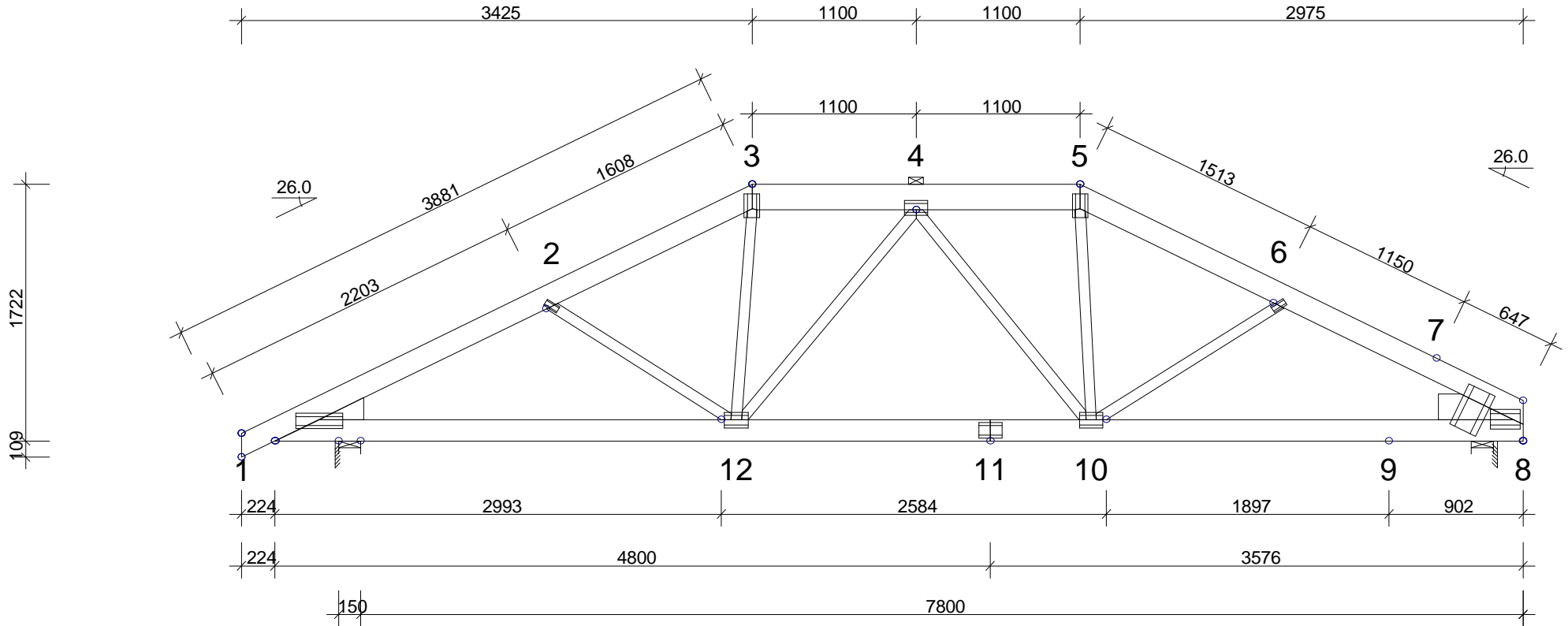
**GENERAL DIRECTIONS:**  
 THE STRUCTURE HAS BEEN CALCULATED USING COMPUTER PROGRAM "TRUSSCON". LIC.NO: 15323  
 CODE TIMBER: LVS-EN 1995-1-1 + NA  
 LOADS: LVS-EN 1991 + NA  
 FULL DESIGN RESULTS AS PER CALC. PRINT-OUT

VERSION: 2011 SR3c  
 TIME: 13.35

		WoodCon, Ltd. REG.LV41203036961 Ph:+37129332958 e-mail: woodcon@woodcon.lv		
		DRAWN CONSTR.BY ,20120323	CHECKED ,20120323	JOB NO. Complex_11
		CODE TYPE NO.	DRAWING NUMBER	REG.

BRACINGS ACCORDING TO TIMBER TABLE AND STABILITY OF THE TRUSS SYSTEM SHALL BE DESIGNED SEPARATELY

▣ INDICATES BRACING



TIMBER: THICKNESS 45 mm				
CONSTR.-PART	DEPTH mm	GRADE	BRACING mm	LOAD N/m²
1-3	145	C24	400	650
3-5	170	C24	< 2120	650
5-8	145	C24	400	650
8-1	145	C24	Full	400
3-12	70	C14	None	
5-10	70	C14	None	
2-12	70	C14	None	
4-10	70	C14	None	
4-12	70	C14	None	
6-10	70	C14	None	
Wedge 1	145	C24		
Wedge 8	170	C24		

GENERAL SETTINGS:	
TIMBER THICKNESS: (mm)	45
TRUSS CENTRES: (mm)	900
CLIMATE CLASS:	2
BRACING: SEE TIMBER TABLE	
LOADS (N/m²):	
SNOW LOAD (BASE VALUE):	1200
WIND LOAD (BASE VALUE):	489
LIVE LOAD:	NO FREE
	1 500
DEAD LOADS: SEE TIMBER TABLE	
OTHER LOADS AS PER CALC. PRINT-OUT	

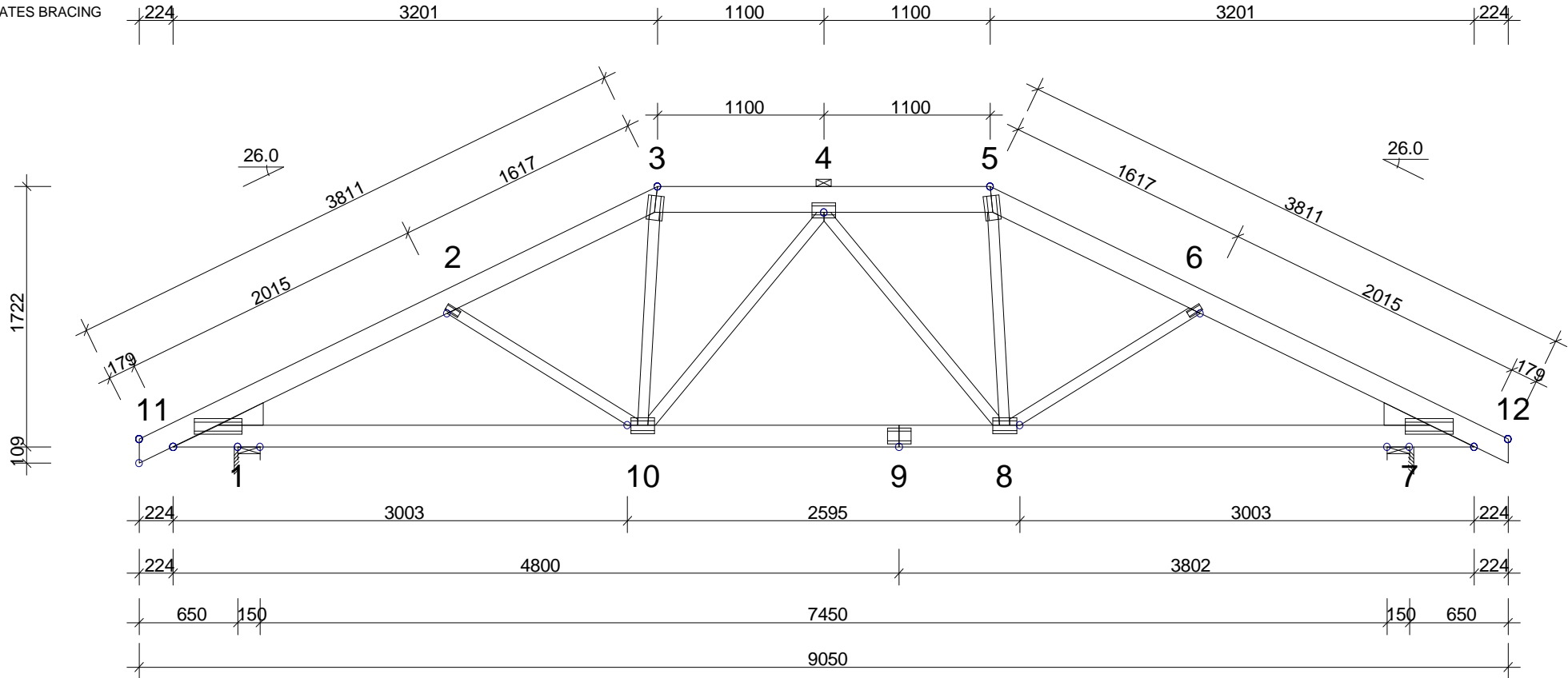
**GENERAL DIRECTIONS:**  
 THE STRUCTURE HAS BEEN CALCULATED USING COMPUTER PROGRAM "TRUSSCON". LIC.NO: 15323  
 CODE TIMBER: LVS-EN 1995-1-1 + NA  
 LOADS: LVS-EN 1991 + NA  
 FULL DESIGN RESULTS AS PER CALC. PRINT-OUT

VERSION: 2011 SR3c  
 TIME: 13.34

		WoodCon, Ltd. REG.LV41203036961 Ph:+37129332958 e-mail: woodcon@woodcon.lv		
		DRAWN CONSTR.BY , 20120323	CHECKED	JOB NO. Complex_11
		CODE TYPE NO.	DRAWING NUMBER	REG.

BRACINGS ACCORDING TO TIMBER TABLE AND STABILITY OF THE TRUSS SYSTEM SHALL BE DESIGNED SEPARATELY

INDICATES BRACING



TIMBER: THICKNESS 45 mm				
CONSTR.-PART	DEPTH mm	GRADE	BRACING mm	LOAD N/m²
3-11	145	C24	400	650
3-5	170	C24	< 2190	650
5-12	145	C24	400	650
7-1	145	C24	Full	400
3-10	70	C14	None	
5-8	70	C14	None	
2-10	70	C14	None	
6-8	70	C14	None	
4-8	70	C14	None	
4-10	70	C14	None	
Wedge 1	145	C24		
Wedge 7	145	C24		

GENERAL SETTINGS:	
TIMBER THICKNESS: (mm)	45
TRUSS CENTRES: (mm)	900
CLIMATE CLASS:	2
BRACING: SEE TIMBER TABLE	
LOADS (N/m²):	
SNOW LOAD (BASE VALUE):	1200
WIND LOAD (BASE VALUE):	489
LIVE LOAD:	NO FREE
	1 500
DEAD LOADS: SEE TIMBER TABLE	
OTHER LOADS AS PER CALC. PRINT-OUT	

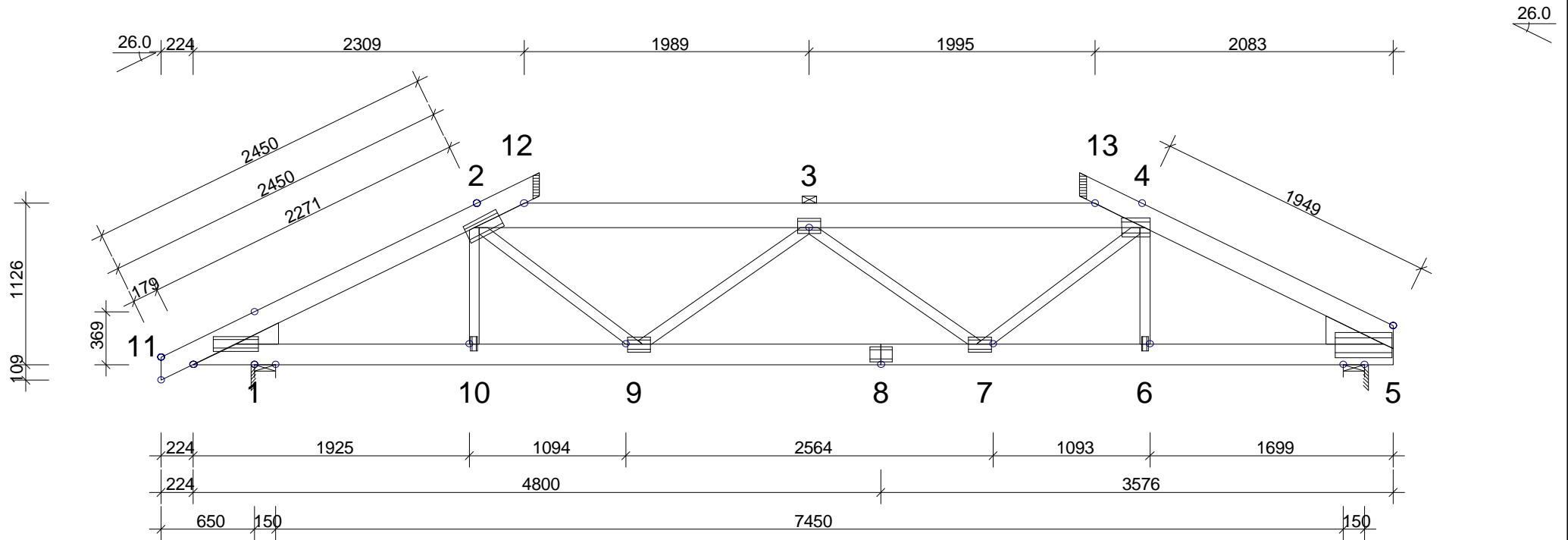
**GENERAL DIRECTIONS:**  
 THE STRUCTURE HAS BEEN CALCULATED USING COMPUTER PROGRAM "TRUSSCON". LIC.NO: 15323  
 CODE TIMBER: LVS-EN 1995-1-1 + NA  
 LOADS: LVS-EN 1991 + NA  
 FULL DESIGN RESULTS AS PER CALC. PRINT-OUT

VERSION: 2011 SR3c  
 TIME: 13.24

		WoodCon, Ltd. REG.LV41203036961 Ph:+37129332958 e-mail: woodcon@woodcon.lv		
		DRAWN CONSTR.BY , 20120323	CHECKED , 20120323	JOB NO. Complex_11
		CODE TYPE NO.	DRAWING NUMBER	REG.

BRACINGS ACCORDING TO TIMBER TABLE AND STABILITY OF THE TRUSS SYSTEM SHALL BE DESIGNED SEPARATELY

▣ INDICATES BRACING



TIMBER: THICKNESS 45 mm				
CONSTR.-PART	DEPTH mm	GRADE	BRACING mm	LOAD N/m <sup>2</sup>
2-4	170	C24	< 2700	650
5-13	145	C24	400	650
5-1	145	C24	Full	400
11-12	145	C24	400	650
2-9	70	C18	None	
3-9	70	C14	None	
4-7	70	C18	None	
3-7	70	C14	None	
2-10	70	C14	None	
4-6	70	C14	None	
Wedge 1	145	C24		
Wedge 5	195	C24		

GENERAL SETTINGS:	
TIMBER THICKNESS: (mm)	45
TRUSS CENTRES: (mm)	900
CLIMATE CLASS:	2
BRACING: SEE TIMBER TABLE	
LOADS (N/m <sup>2</sup> ):	
SNOW LOAD (BASE VALUE):	1200
WIND LOAD (BASE VALUE):	489
LIVE LOAD:	NO FREE
	1 500
DEAD LOADS: SEE TIMBER TABLE	
OTHER LOADS AS PER CALC. PRINT-OUT	

**GENERAL DIRECTIONS:**

THE STRUCTURE HAS BEEN CALCULATED USING COMPUTER PROGRAM "TRUSSCON". LIC.NO: 15323  
 CODE TIMBER: LVS-EN 1995-1-1 + NA  
 LOADS: LVS-EN 1991 + NA  
 FULL DESIGN RESULTS AS PER CALC. PRINT-OUT

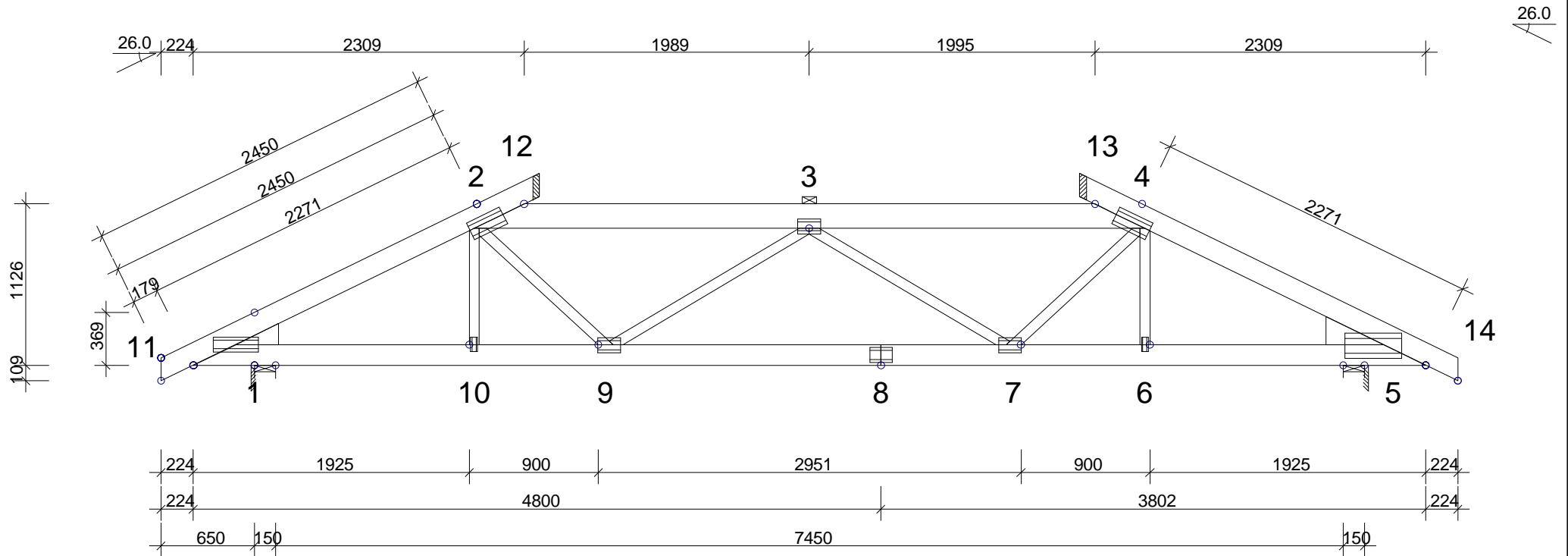
VERSION: 2011 SR3c  
 TIME: 13.35

		WoodCon, Ltd. REG.LV41203036961 Ph:+37129332958 e-mail: woodcon@woodcon.lv		
		DRAWN CONSTR.BY , 20120323	CHECKED , 20120323	JOB NO. Complex_11
CODE TYPE NO.		DRAWING NUMBER		REG.



BRACINGS ACCORDING TO TIMBER TABLE AND STABILITY OF THE TRUSS SYSTEM SHALL BE DESIGNED SEPARATELY

▣ INDICATES BRACING



TIMBER: THICKNESS 45 mm				
CONSTR.-PART	DEPTH mm	GRADE	BRACING mm	LOAD N/m²
2-4	170	C24	< 3140	650
5-1	145	C24	Full	400
11-12	145	C24	400	650
13-14	145	C24	400	650
2-9	70	C18	None	
3-9	70	C14	None	
4-7	70	C18	None	
3-7	70	C14	None	
2-10	70	C14	None	
4-6	70	C14	None	
Wedge 1	145	C24		
Wedge 5	195	C24		

GENERAL SETTINGS:	
TIMBER THICKNESS: (mm)	45
TRUSS CENTRES: (mm)	900
CLIMATE CLASS:	2
BRACING: SEE TIMBER TABLE	
LOADS (N/m²):	
SNOW LOAD (BASE VALUE):	1200
WIND LOAD (BASE VALUE):	489
LIVE LOAD:	NO FREE
	1 500
DEAD LOADS: SEE TIMBER TABLE	
OTHER LOADS AS PER CALC. PRINT-OUT	

**GENERAL DIRECTIONS:**

THE STRUCTURE HAS BEEN CALCULATED USING COMPUTER PROGRAM "TRUSSCON". LIC.NO: 15323  
 CODE TIMBER: LVS-EN 1995-1-1 + NA  
 LOADS: LVS-EN 1991 + NA  
 FULL DESIGN RESULTS AS PER CALC. PRINT-OUT

VERSION: 2011 SR3c  
 TIME: 13.35



WoodCon, Ltd.  
 REG.LV41203036961  
 Ph:+37129332958  
 e-mail: woodcon@woodcon.lv

DRAWN CONSTR.BY	CHECKED	JOB NO.
		Complex_11
, 20120323		

CODE TYPE NO.	DRAWING NUMBER	REG.

SCALE 1:40